



TND027MP

Excellent Power Device

Lowside Power Switch Lamp-, Solenoid-, and Motor-Driving, Single MP

ON Semiconductor®

<http://onsemi.com>

Features

- N-channel MOSFET built in
- Overheat protection. (Self recovery type)
- Overcurrent protection. (Self recovery type current limiting function)
- Overvoltage protection

Specifications

Absolute Maximum Ratings at Ta=25°C

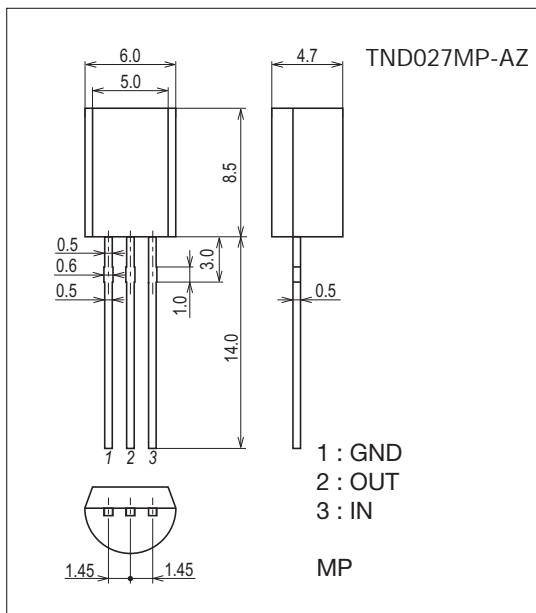
Parameter	Symbol	Conditions	Ratings	Unit
Drain-to-Source Voltage	V _{DS}		60	V
Output Current	I _{O(DC)}		1.5	A
Input Voltage	V _{IN}		-0.3 to +10	V
Allowable Power Dissipation	PD		1.0	W
Operating Supply Voltage	V _{DS(opr)}		40	V
Operating Temperature	Topr		-40 to +85	°C
Junction Temperature	Tj		150	°C
Storage Temperature	Tstg		-55 to +150	°C

Stresses exceeding Maximum Ratings may damage the device. Maximum Ratings are stress ratings only. Functional operation above the Recommended Operating Conditions is not implied. Extended exposure to stresses above the Recommended Operating Conditions may affect device reliability.

Package Dimensions

unit : mm (typ)

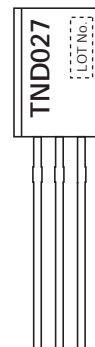
7520-003



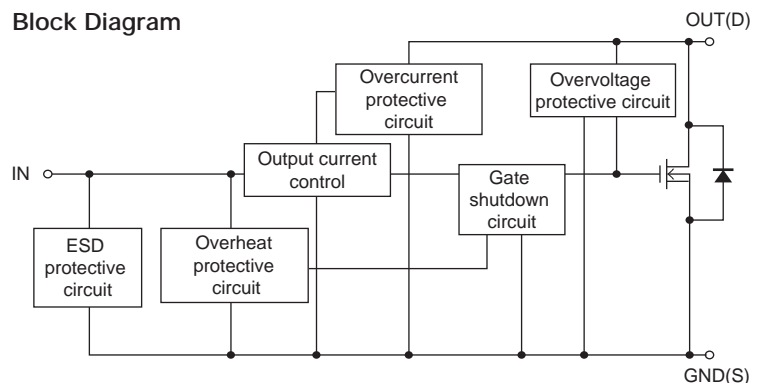
Product & Package Information

- Package : MP
- JEITA, JEDEC : SC-51, TO-92(1-WATT), TO-226AE
- Minimum Packing Quantity : 1,000 pcs./box

Marking



Block Diagram



TND027MP

Electrical Characteristics at Ta=25°C

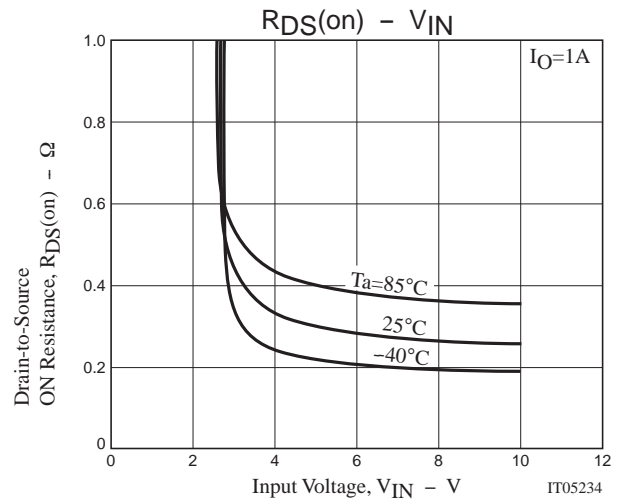
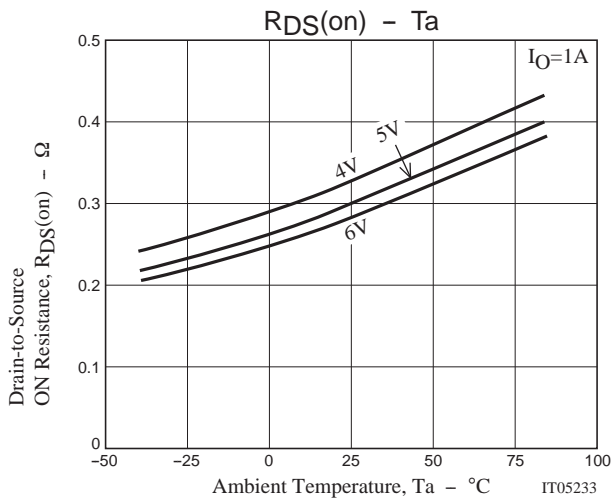
Parameter	Symbol	Conditions	Ratings			Unit
			min	typ	max	
Drain-to-Source Clamp Voltage	$V_{DS, clamp}$	$V_{IN}=0V, I_O=1mA$	60			V
Output-OFF Current	$I_{DSS(1)}$	$V_{IN}=0V, V_{DS}=50V$			10	μA
	$I_{DSS(2)}$	$V_{IN}=0V, V_{DS}=12V$			5	μA
Input Threshold Voltage	$V_{IN(th)}$	$V_{DS}=5V, I_O=1mA$	1.0	1.5	2.0	V
Protection Circuit Operating Input Voltage	$V_{IN(opr)}$		4		10	V
Drain-to-Source ON Resistance	$R_{DS(on)}$	$V_{IN}=5V, I_O=1A$		0.3	0.4	Ω
Input Current (Output On)	I_{IN}	$V_{IN}=5V$			0.6	mA
Over-Heat Detecting Temperature	$T_{j(sd)}$	$V_{IN}=5V, I_O=1A$	120	150	190	$^{\circ}C$
Over-Current Detecting Current	I_s	$V_{IN}=5V$	3.0	6.0	9.0	A
Over-Current Limit (Peak)	I_{LMT}	$V_{IN}=5V$	3.0	6.0	9.0	A
Input Clamp Voltage	$V_{IN, clamp}$	$I_{IN}=1mA$	10			V

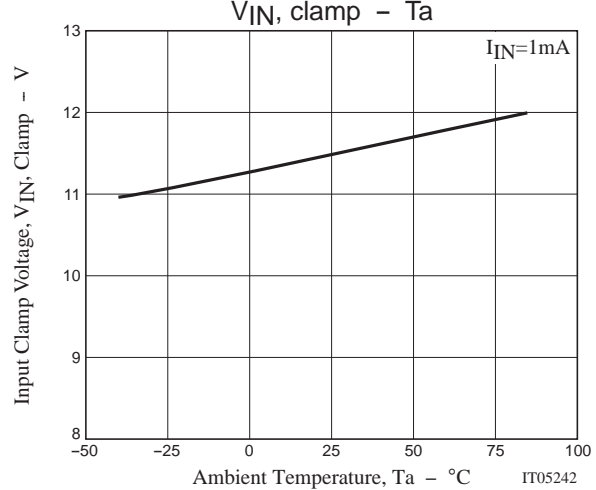
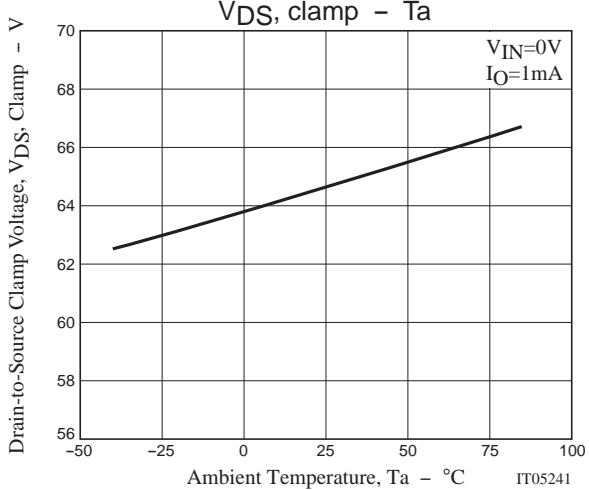
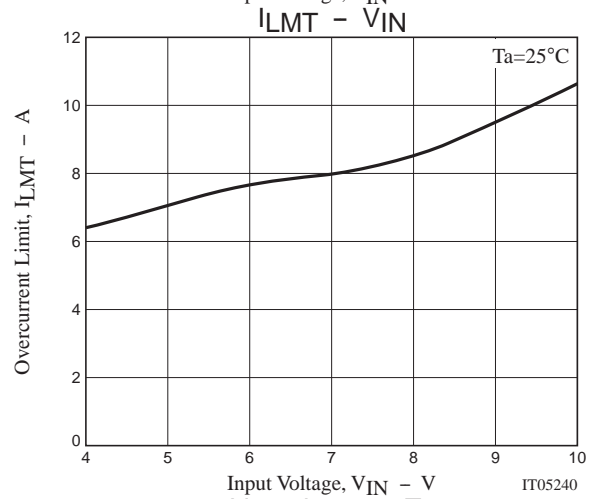
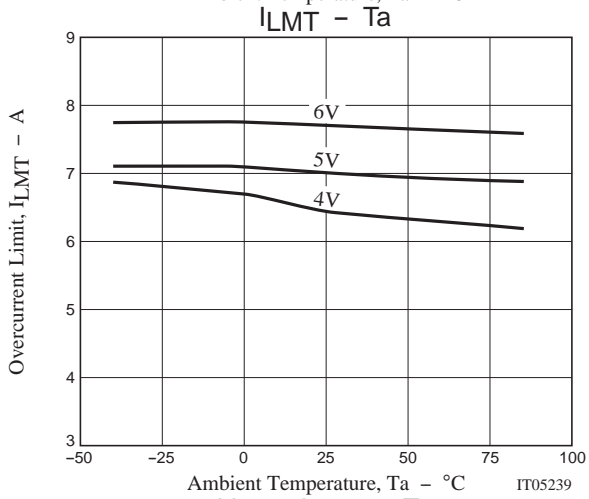
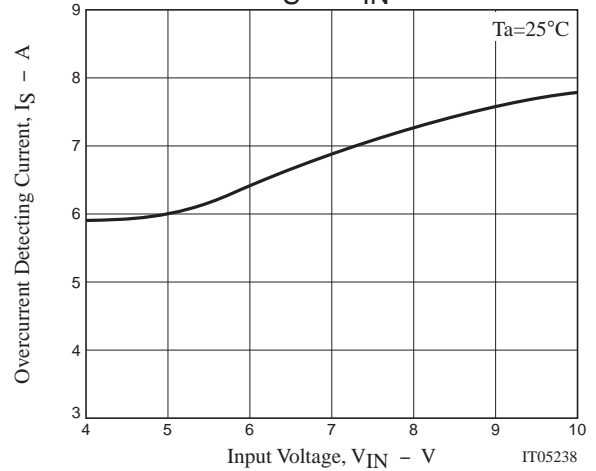
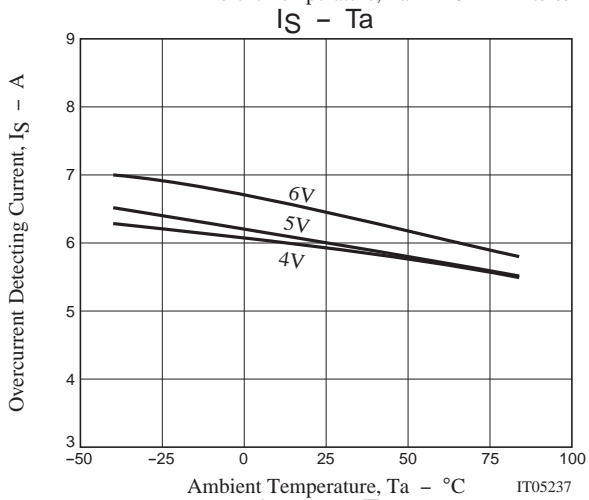
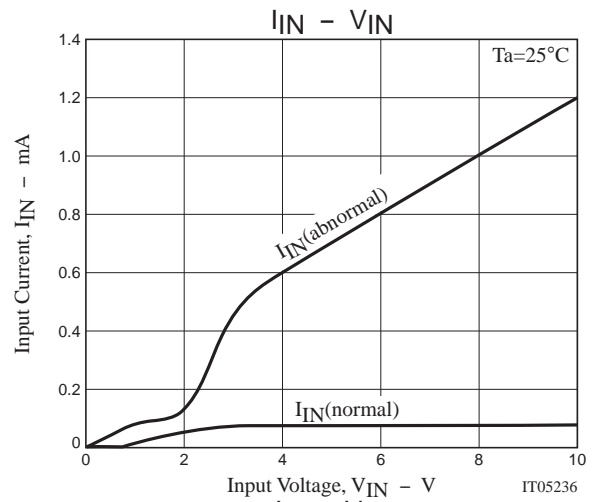
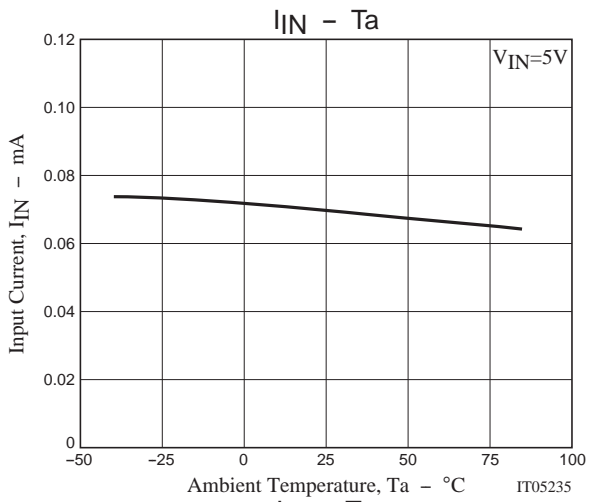
Notes : 1. Overcurrent protection circuit limits the output current to the range of overcurrent limit value.

2. During overheat protecting operation, output current is turned off.

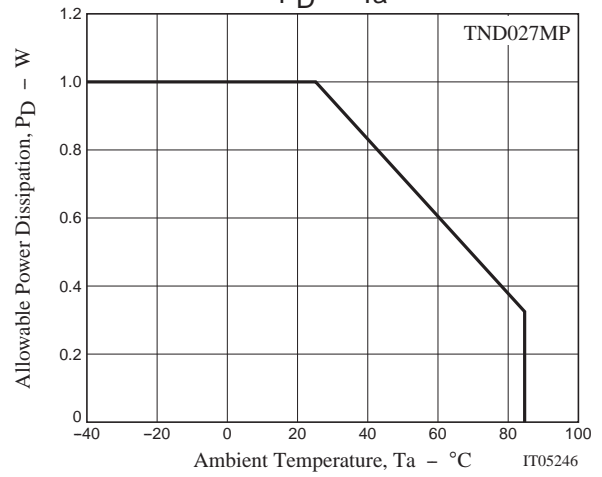
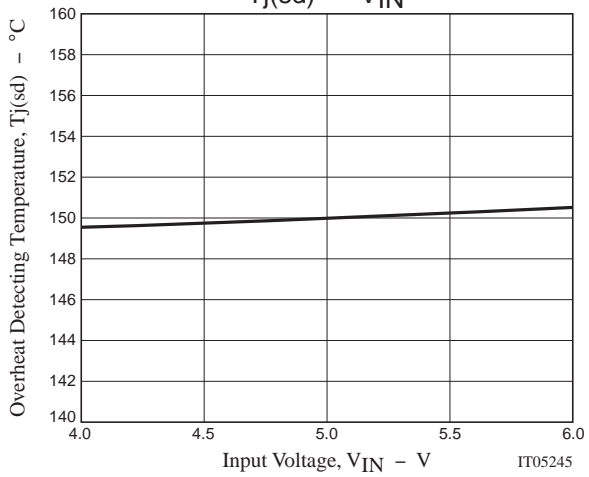
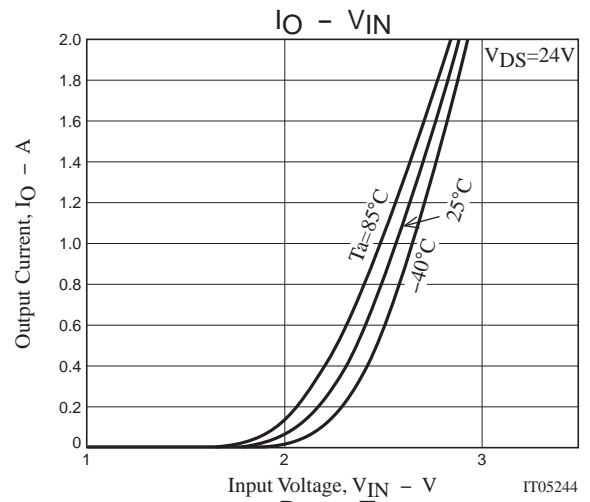
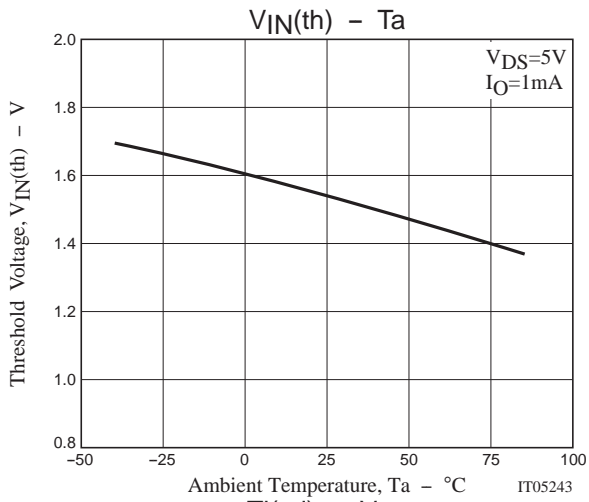
Ordering Information

Device	Package	Shipping	memo
TND027MP-AZ	MP	1,000pcs./box	Pb Free

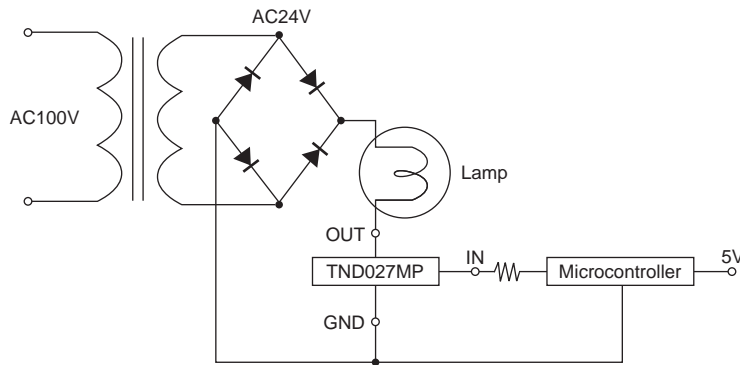




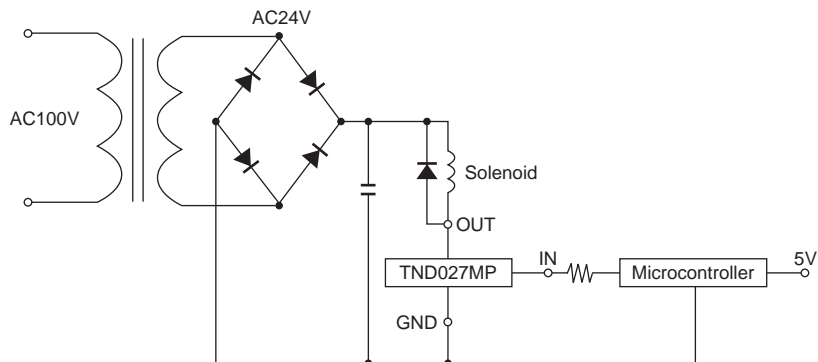
TND027MP



Sample Application Circuit



Another Sample Application Circuit (Solenoid drive)



Operation Description

- The output power MOSFET will be turned on when the input voltage exceeds the input threshold voltage (4 to 6V is recommended), and then the lamp will be turned on by the current flowing to the lamp. Conversely, the output power MOSFET will be turned off when the input voltage goes below the input threshold voltage, and the lamp will be turned off.
- The inrush current that occurs during normal lamp operation is limited to a preset value by the built-in overcurrent protecting circuit, which makes the lamp life longer.
- The internal overcurrent protection function limits the current of output power MOSFET when output current of at least the overcurrent detecting current value flows at load short. Besides, if the device temperature exceeds the allowable power dissipation, overheat protection function protects the power switch from being broken down by turning off the current of output power MOSFET when T_j comes to 150°C (typical).
- As an example of application circuit, DC voltage can also be controlled as a solenoid drive.

Addition

- The diode between OUT and GND in the block diagram is parasitic diode of the MOSFET.
- Not apply a voltage on IN terminal during the period when OUT voltage is lower than GND voltage when driving a solenoid or a motor.
- Be sure connect a diode between OUT terminal and GND terminal when you want to apply a voltage on IN terminal under the above-stated state (that is, OUT Voltage < GND Voltage).

Taping Specification

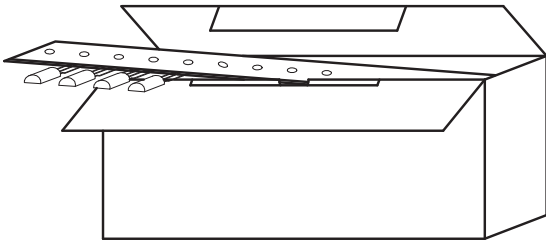
TND027MP-AZ

1. Packing Format

Package Name	Packing Type	Maximum Number of devices contained (pcs)		Packing format	
		Inner BOX	number of contained	Outer Box (C-14)	Outer Box (C-15)
M P	AE/AZ	C-3 Dimensions:mm (external) 330×45×125	1,000	16 Inner Box contained (16,000pcs) Dimensions:mm (external) 500×345×195	8 Inner Box contained (8,000pcs) Dimensions:mm (external) 345×260×195
	A J	C-5 Dimensions:mm (external) 330×45×245	2,000	8 Inner Box contained (16,000pcs) Dimensions:mm (external) 500×345×195	4 Inner Box contained (8,000pcs) Dimensions:mm (external) 345×260×195

Packing method

Put zigzag folding in an inner box.



Inner box label

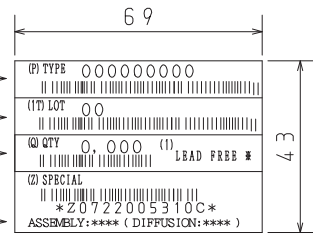
(unit:mm)

Type No. →

Lot No. →

Quantity →

Origin →



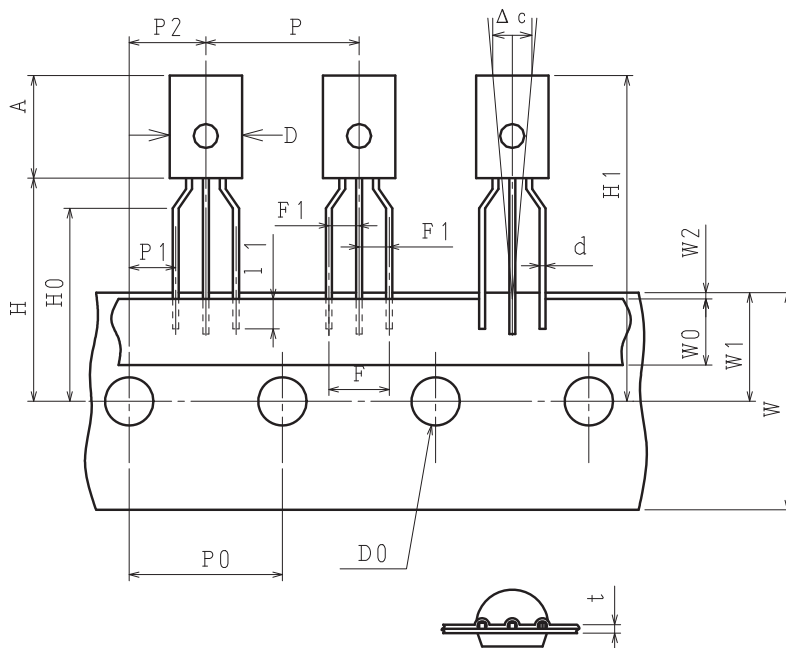
NOTE (1)

The LEAD FREE * description shows that the surface treatment of the terminal is lead free.

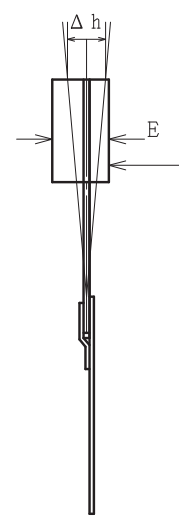
Label	JEITA Phase
LEAD FREE 3	JEITA Phase 3A
LEAD FREE 4	JEITA Phase 3

2. Taping specifications

2-1. Carrier tape size



Marking surface

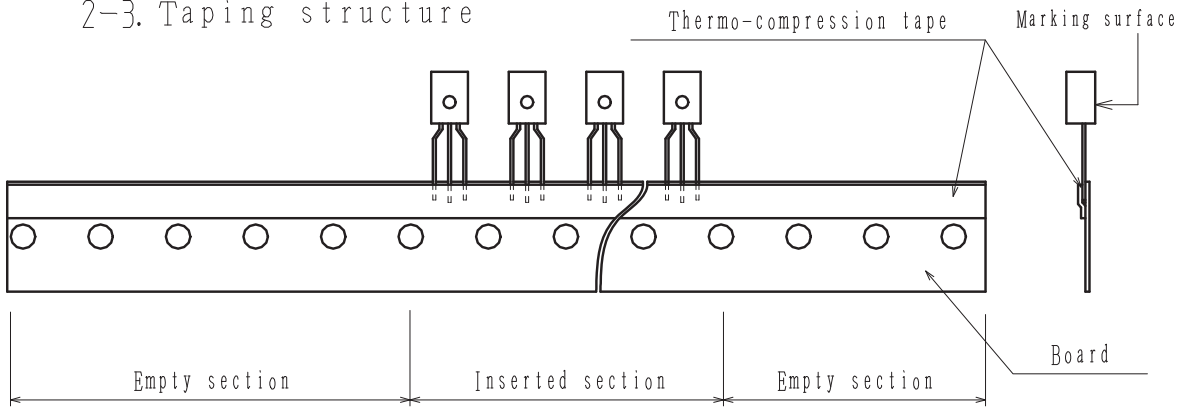


2-2. Taping size standard

unit:mm

Item	Symbol	Standard	Tolerance	Item	Symbol	Standard	Tolerance
Work piece outside diameter	D	6.0	±0.2	Tape width	W	18.0	+1.0 -0.5
	E	4.7	±0.2	Adhesive tape	W0	6.0	±1.5
Work piece height	A	8.5	±0.2	Displacement of perforations	W1	9.0	±0.5
Lead wire diameter	d	0.5×0.5t	±0.1	Work piece bottom surface position	H	18.5	±1.0
Bonded lead wire	l1	2.5MIN		Insert stopper position	H0	16.0	±0.5
Pitch between products	P	12.7	±1.0	Work piece upper limit position	H1	27.0	±1.5
Pitch between perforations	P0	12.7	±0.2	Perforations diameter	D0	φ4.0	±0.2
Accumulation Pitch	P0×20	254.0	±1.0	Tape thickness	t	0.7	±0.2
Distance between lead wire	F	5.0	+0.8 -0.2	Product inclination	△c	0	±1.5
Lead wire pitch distance	F1	2.5	+0.4 -0.1				
Product inclination	△h	0	±2.0				
Displacement of perforations	P1	3.85	±0.3	Measurement position is the bottom of the clinch			
	P2	6.35	±0.3				
Displacement of tape	W2	0.5MAX		Not to be displaced to the outside of the board			

2-3. Taping structure

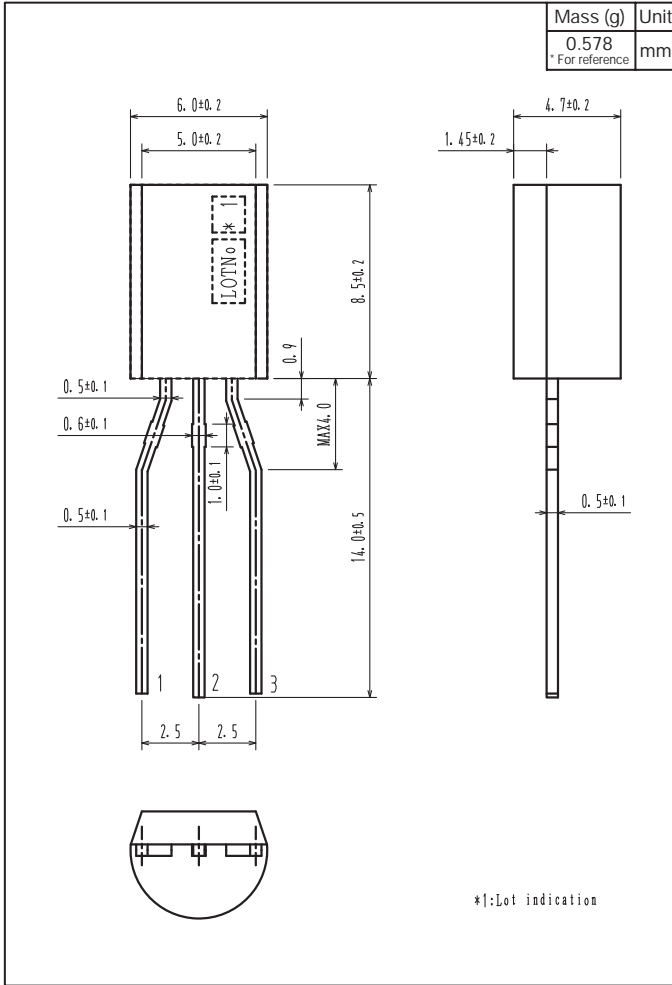


•Provide 3~5 empty sections in the leading and end portions of the tape.

TND027MP

Outline Drawing

TND027MP-AZ



ON Semiconductor and the ON logo are registered trademarks of Semiconductor Components Industries, LLC (SCILLC). SCILLC owns the rights to a number of patents, trademarks, copyrights, trade secrets, and other intellectual property. A listing of SCILLC's product/patent coverage may be accessed at www.onsemi.com/site/pdf/Patent-Marking.pdf. SCILLC reserves the right to make changes without further notice to any products herein. SCILLC makes no warranty, representation or guarantee regarding the suitability of its products for any particular purpose, nor does SCILLC assume any liability arising out of the application or use of any product or circuit, and specifically disclaims any and all liability, including without limitation special, consequential or incidental damages. "Typical" parameters which may be provided in SCILLC data sheets and/or specifications can and do vary in different applications and actual performance may vary over time. All operating parameters, including "Typicals" must be validated for each customer application by customer's technical experts. SCILLC does not convey any license under its patent rights nor the rights of others. SCILLC products are not designed, intended, or authorized for use as components in systems intended for surgical implant into the body, or other applications intended to support or sustain life, or for any other application in which the failure of the SCILLC product could create a situation where personal injury or death may occur. Should Buyer purchase or use SCILLC products for any such unintended or unauthorized application, Buyer shall indemnify and hold SCILLC and its officers, employees, subsidiaries, affiliates, and distributors harmless against all claims, costs, damages, and expenses, and reasonable attorney fees arising out of, directly or indirectly, any claim of personal injury or death associated with such unintended or unauthorized use, even if such claim alleges that SCILLC was negligent regarding the design or manufacture of the part. SCILLC is an Equal Opportunity/Affirmative Action Employer. This literature is subject to all applicable copyright laws and is not for resale in any manner.